



LIGHTFORCE HTX2 & HTX2 24V

The highly evolved HTX2 Hybrid Driving Lights include enhancements to the award-winning features that Lightforce pioneered with the HTX. Next-generation HTX2 Hybrid Driving Lights evolve every aspect to the next level to give you a high-performance light that's more rugged and reliable than ever. Our flagship product is also available in a 24 volt version that includes the HTX2 Top Stay Bracket for added stability. Additional improvements include CE certification which ensures HTX2 complies with internationally recognised standards.

SPECIFICATIONS:

- 12V Input voltage range: 10-16V DC
- 24V Input voltage range: 18-30V DC
- 12V Current draw: 11.5Amps @ 13.2V
- 24V Current draw: 6Amps @ 24V
- LED power: 80W / HID bulb: 50W
- Raw and effective lumens: 11770 / 8050
- LED colour temperature: 5000K
- HID colour temperature: 5000K
- Operating temperature: -40°C to 63°C
- Weight including bracket: 2.3kg (5.07lbs).

KIT INCLUSIONS:

- Lightforce HTX2 Hybrid Driving Light (HTXMK2) or HTX2 24V (HTXMK224V)
- Reversible mount and hardware
- HTX2 Xtreme Top Stay Bracket (HTXMK2TSB) included with 24V version only
- Matching 4 pin waterproof harness adaptor
- HTX2 Clear Spot Filter (HTXMK2SFL)
- User instructions.

OPTIONAL ACCESSORIES:

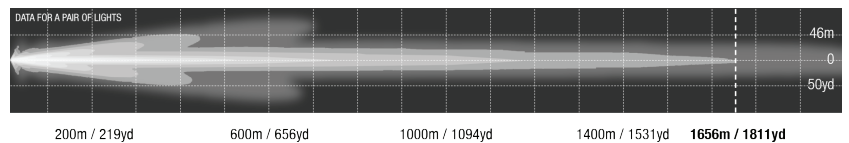
- Dual Switching Harness for HTX (LFDLHDS). Suitable for 12V only
- Anti Theft Nut Kit (ATNSG2)
- Xtreme Top Stay Bracket for HTX2 (HTXMK2TSB) included with 24V version only
- HTX2 Clear Combo Filter for HTX2 (HTXMK2CFL)
- HTX2 Black Cover (HTXMK2BC)
- Replacement 5000K HID Bulb (GL30).

FEATURES:

- 50W 5000K OEM spec Phillips® D1S HID bulb in a 170mm reflector
- 20 high output 5000K Lumileds® Luxeon ZES LEDs
- Aluminium housing with improved surface area for better heat management
- IP68 and IP69k rated to protect against moisture / contaminant ingress
- Independently switched three mode operation for complete control
 - LED – for instant flood beam
 - HID – for long distance
 - Combine the two for ultimate visibility
- Use modular filters to adjust the beam pattern
- High current waterproof connector
- Genuine Gore® waterproof membrane with mechanical seal.

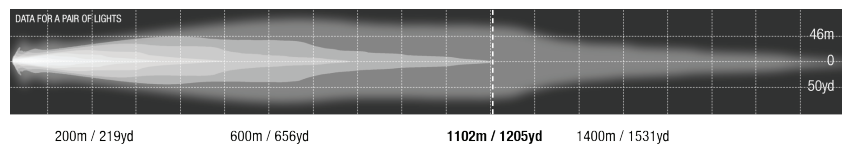
DATA FOR A PAIR OF LIGHTS

Beam distance 1 lux at 1656m and beam width 1 lux at 112m.

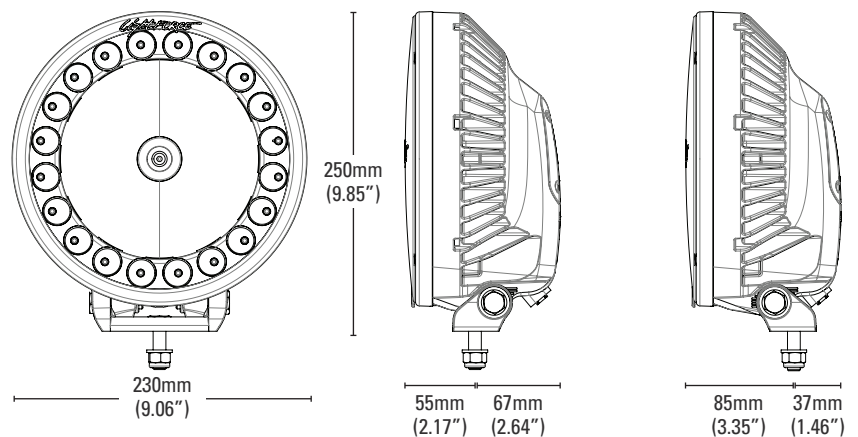


DATA FOR A PAIR OF LIGHTS WITH HTX2 CLEAR COMBO FILTERS

Broad beam pattern out to 700m. Beam distance 1 lux at 1102m and beam width of 1 lux at 108m.



DIMENSIONS:



LightFORCE

LIGHTFORCE.COM